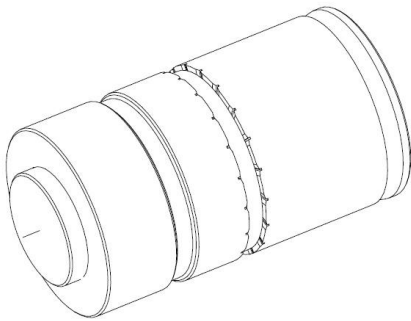


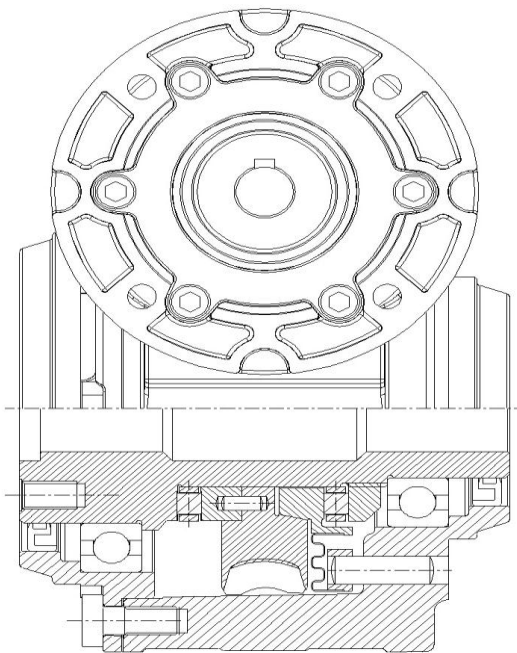
Zero Drive



The Zero Drive is a speed reducer made by applying the principle of irreversible joint represented on the left and deposited by Girotto Patents. The irreversible coupling is a mechanical device which comprises a motor element (input) and a driven element (output), both movable with respect to a fixed structure, usually a frame. The motor element imparts a controlled thrust to move the duct element, and the purpose of the joint is to prevent a transfer of thrust in the opposite direction, ie from the output to the input. So We want that the joint has the function of preventing the return motion of an duct outlet organ whatever the direction of the input drive rotation that

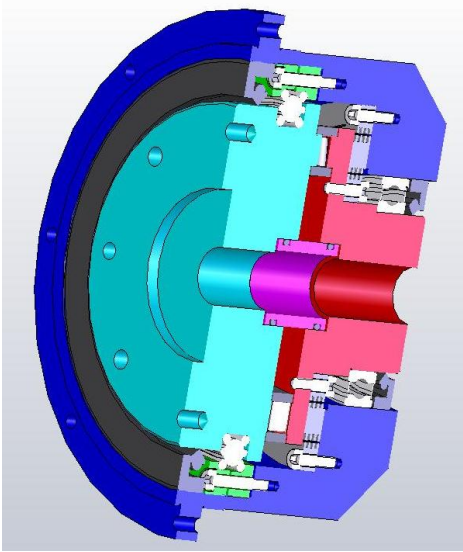
actuates it. The Zero Drive can be realized according to a pattern of transmission worm, parallel gears and planetary gear. The fields of application range from high-precision positioning systems to irreversible systems for industrial, civil, etc..

In the images below you can see a version that we are producing in collaboration with the Tecnodinamica Srl.



GIROTTTO BREVETTI SRL

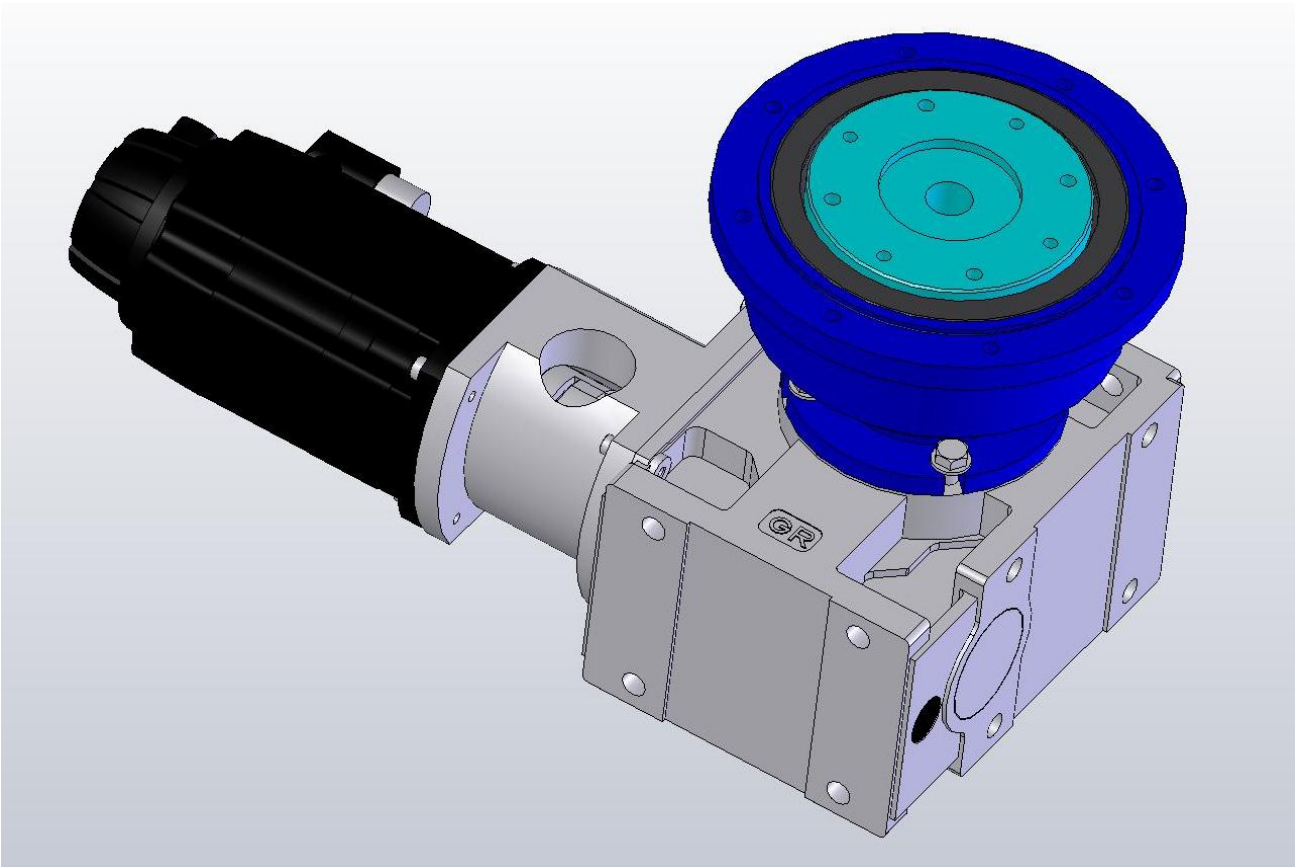
Via Luigi e Giulio Masi, 46
31027 Spresiano (TV)
cell. +39 340 0631140
info@adrianoGIROTTTO.com
www.adrianoGIROTTTO.com
PIVA 04441340264



Now we are working in a standalone version where the customers can implement any kind of low cost gearboxes. With this version we want to allow our customers to maintain their standard products acquired over time.

This version could be very interesting for more applications. With this version we can obtain a very low cost drive with the following technical characteristic:

- Survivability torque – 4500 Nm
- Backlash – 0,07 mRad (max.) at ± 50 Nm
- Efficiency - >60%



GIROTTO BREVETTI SRL

Via Luigi e Giulio Masi, 46
31027 Spresiano (TV)
cell. +39 340 0631140
info@adrianoGIROTTO.com
www.adrianoGIROTTO.com
PIVA 04441340264